

DC FUSE 1500V



CLBDF-32LA



CLBDF-32LB

Application

This series of fuse is suitable for solar photovoltaic power generation system, rated voltage to 1500V, rated current to 630A, used in photovoltaic power generation equipment as a photovoltaic module string and photovoltaic array for over current protection, and photovoltaic panels, and batteries connected in series and parallel, to charge variable flow system for short circuit breaking protection, in photovoltaic station and inverter rectifier system for short-circuit breaking protection, as well as photovoltaic power generation system inrush current and short circuit fault voltage for quick break protection, rated breaking capacity to 10-50kA products confirms to IEC 60629.1 and 60629.6.

Normal service Conditions

Ambient Temperature: -40 °C ~+90 °C Equipment installation height: less than 2000m (If exceeding this value, please specify the requirements, and company will design according to the requirements) Relative air humidity: less than 90%

Use category

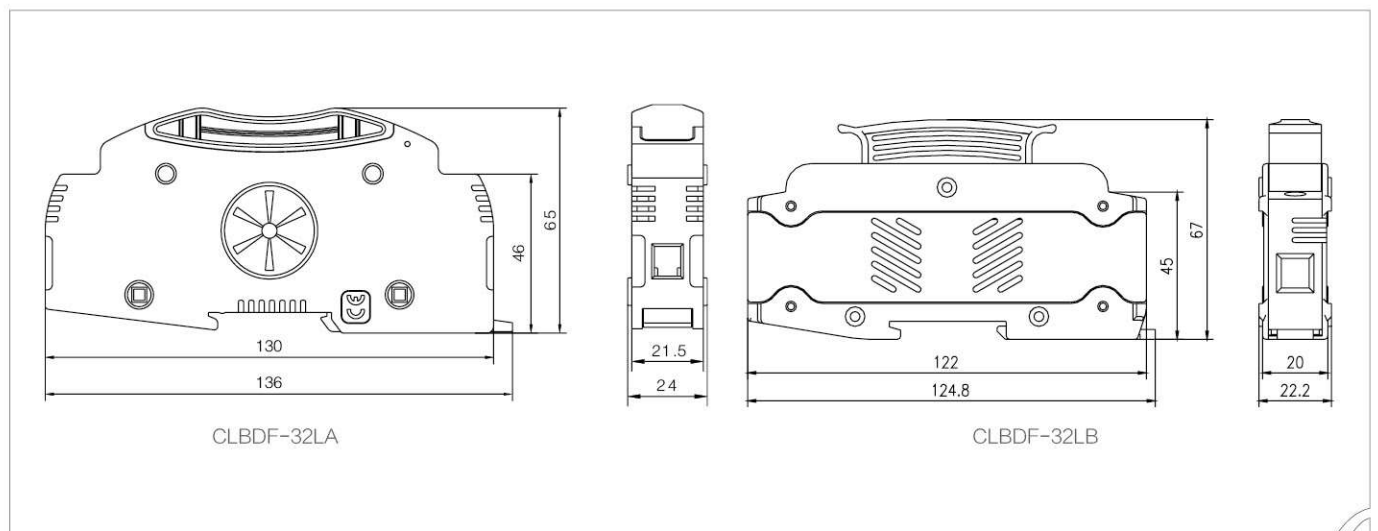
gPV means all range DC Fuse used for breaking protection in solar photovoltaic power generation system

Structure

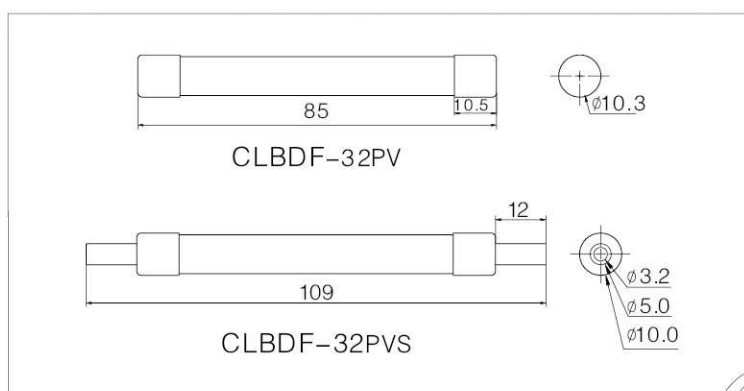
Fuse link is made of pure silver (or made of silver strings), welding low tin and encapsulated in the melt tube made of high-strength porcelain, the fuse tube filled with high pure quartz sand chemically processed as the arc medium, fuse body is connected with contacting terminals by spot welding Fuse base suppressed by the plastic casing fitted with contacts and contains the fusion pieces, the connection made by riveting as the support of the appropriate size fuse body parts. This series fuse has a compact and convenient device, use security, beautiful appearance, etc.

CLBDF-32LA 2A-32A 1500V DC
CLBDF-32LB 2A-32A 1500V DC

Fuse Size: 10 X 85mm: Class of Operation: gPV
Breaking Capacity: 33(20) kA Standard: GB/T 13539.6 IEC 60269-6
Time Constant: 1-3ms



Dimensions-mm



Specifications

Model	Rated current (A)	$I^2 T (A^2 S)$	
		Pre-arcing	Total
CLBDF-32PV (CLBPV-32L)	2	4	8
CLBDF-32PV (CLBPV-32L)	3	6	11
CLBDF-32PV (CLBPV-32L)	4	8	14
CLBDF-32PV (CLBPV-32L)	5	11	22
CLBDF-32PV (CLBPV-32L)	6	15	30
CLBDF-32PV (CLBPV-32L)	8	9	35
CLBDF-32PV (CLBPV-32L)	10	10	98
CLBDF-32PV (CLBPV-32L)	12	12	120
CLBDF-32PV (CLBPV-32L)	15	14	170
CLBDF-32PV (CLBPV-32L)	20	34	400
CLBDF-32PV (CLBPV-32L)	25	65	550
CLBDF-32PV (CLBPV-32L)	30	85	680
CLBDF-32PV (CLBPV-32L)	32	90	720

Time current Curve

