

CLBM1-1000V DC MOULDED CASE CIRCUIT BREAKER

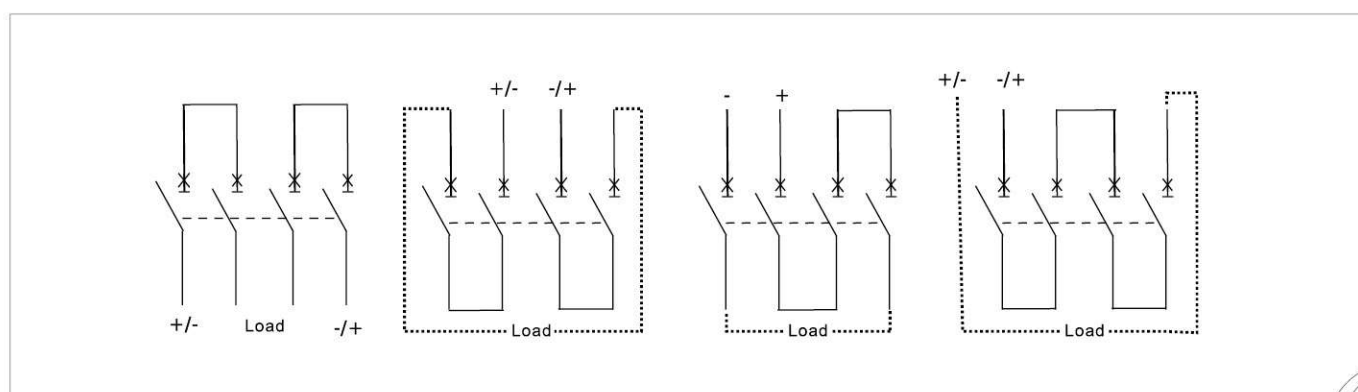
- Reliable protection at high ambient temperatures
- Loadable:string protection up to
125 size:63A,80A,100A,125A
250 size:100A,125A,160A,200A,225A,250A
400 size:200A,225A,250A,315A,400A,
630 size:400A,500A,630A,
1250size:630A,800A,1000A,1250A,
- Tested:Ultimate short circuit breaking capacity Icu of 25kA according to IEC IEC60947-2
- Fast: reclosable for minimum standstill times
- Safe: reliable disconnecter properties,switching under load
- Approval:Provided on request



Specifications

Rated Current In (A)	125:63A,80A,100A,125A, 250:160A,200A,225A,250A, 400:200A,225A,250A,315A,400A 630:400A,500A,630A, 1250:630A,800A,1000A,1250A
Ue Rated operating voltage (VDC)	3P 750V 4P DC1000V
Rated insulation voltage Ui (VDC)	DC1000V
Rated Impact voltage Uimp (kV)	8KV
Ultimate breaking capacity Icu (kV)	25KV
Trip type	Thermal-magnetic
Ambient temperature (°C)	-20°C ~70°C
Altitude	2000M
Installation	Fixed,plug-in
Accessories	Auxiliary,Alarm,Shunt release,Manually operated and electric operation

Wiring diagram



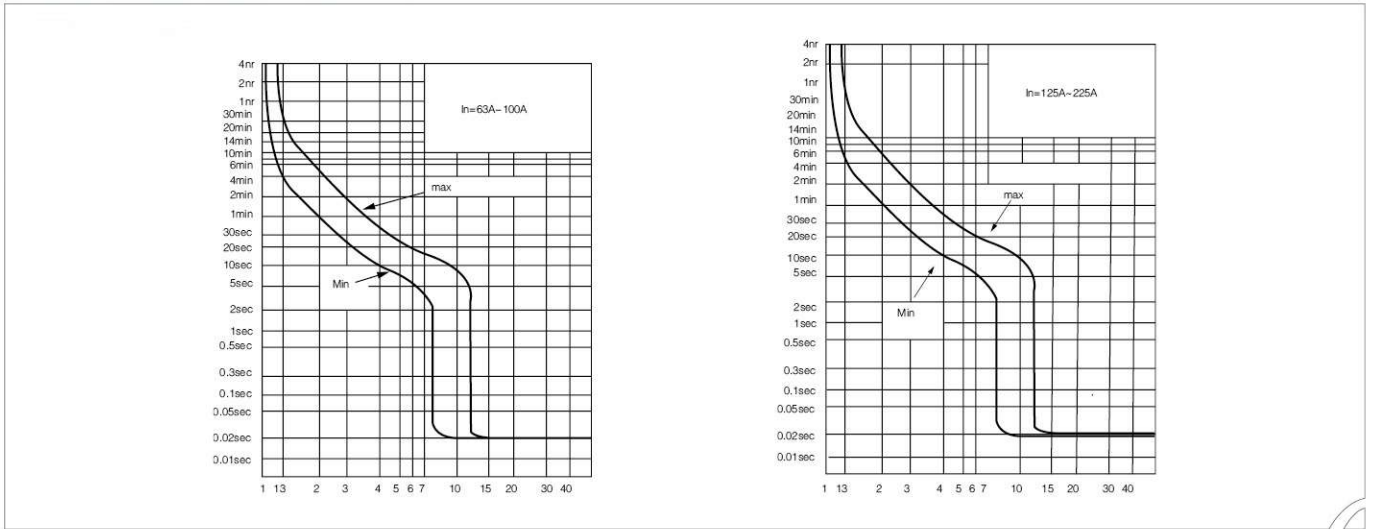
- Protection and Isolation wiring
- The load should be \leq DC1000V

The connection considered for a network in which the middle point of the supply source is earthed, In this case the breaker protects and isolates the load

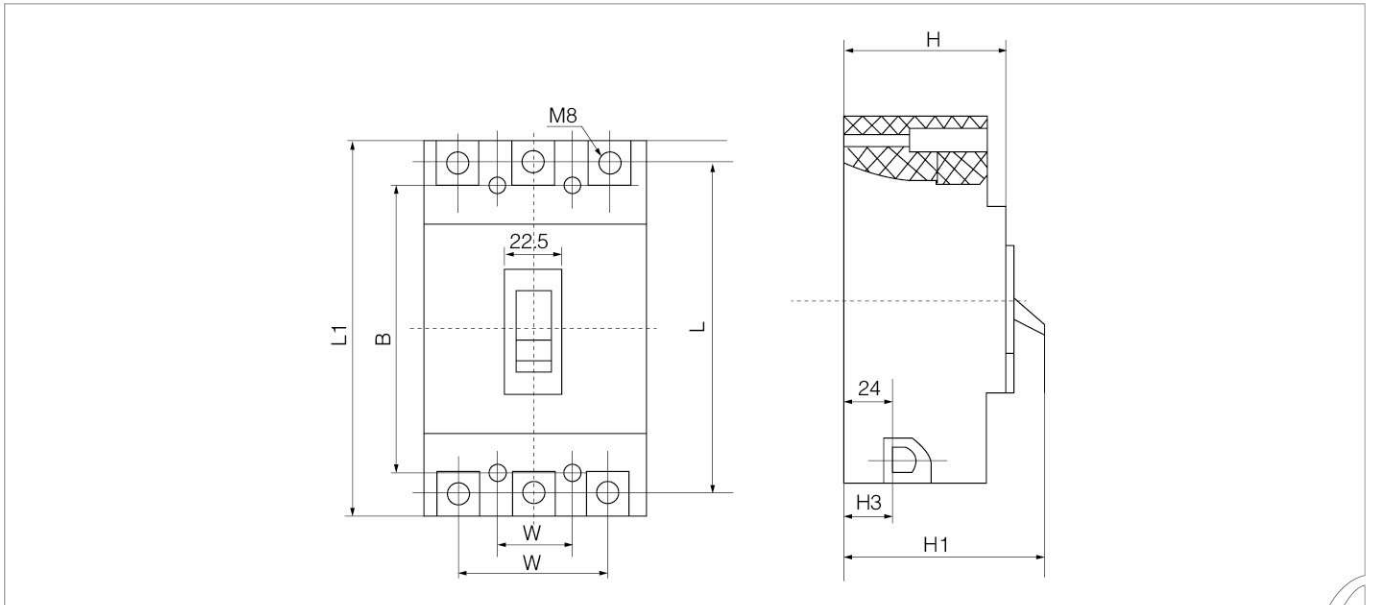
- Protection and Isolation wiring
- The load should be \leq DC1000V

The Negative pole (-) could be earthed, but in both cases the breaker protects and isolates the load

Curve chart



Installation dimensions



*400A installation dimensions please contact manufacturers

型号	外形尺寸											安装尺寸		
	板前接线						板后接线							
	W	L	H	W1	L1	H1	H2	H3	L2	H4	L5	A	B	φd
CLBM1Z-100M	92	15W0	86	60	185	104	24	24	132	68	108	30	129	4.5
CLBM1Z-100H												35		
CLBM1Z-250M	107	165	103	70	215	127	24	24	144	66	110	35	126	5
CLBM1Z-250H												44		
CLBM1Z-400M	150	257	105	96	370	155	38	38	224	60	120	58	194	7
CLBM1Z-400H												58		
CLBM1Z-630M	182	270	110	116	370	160	43	43	234	65	125	58	200	7
CLBM1Z-630H												58		
CLBM1Z-800M	210	280	106	140	380	145	33	30	234	128		70	243	7.3
CLBM1Z-800H										70				